

Switching Power Plug

For Use with Solenoid Operated Valves Rated up to 24V DC
EHH-AMP-702-A; 2* Series

General Description

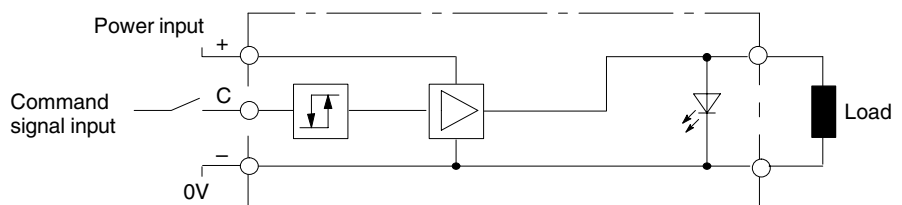
This plug is basically a remote controlled on/off switch. When compared with switching relays, it gives more consistent valve response times and reduced de-energizing times.

Conforming to ISO 4400 (DIN 43650) interface, it has a built-in amplifier that enables the switching control signal for hydraulic and other types of on/off valves to be taken directly to the valve solenoid, instead of via a control cabinet relay.

Features and Benefits

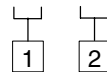
- Improved control reliability.
- Faster, more consistent load switching.
- Smaller, cooler system control cabinets.
- Low electrically generated noise.
- Simpler, cost effective wiring of the application.
- LED indicates "switched on".
- Same connection interface as conventional ISO 4400 (DIN 43650) plug.
- Protection to IP67,

Electrical Block Diagram



Model Codes

EHH-AMP-702-A - 2*



1 Type of switch


A = Direct switching of power supply

2 Design number, 20 series

Subject to change.

Installation dimensions unaltered for design numbers 20 to 29 inclusive.



This product has been designed and tested to meet specific standards outlined in the European Electromagnetic Compatibility Directive (EMC) 89/336/EEC, amended by 91/263/EEC, 92/31/EEC and 93/68/EEC, article 5. For instructions on installation requirements to achieve effective protection levels, see this leaflet and the Installation Wiring Practices for Vickers Electronic Products leaflet 2468. Wiring practices relevant to this Directive are indicated by  Electromagnetic Compatibility (EMC).

Operating Data

Electrical	
Power input voltage▲	24V DC (20-30V DC) including ± 10% maximum ripple (peak-to-peak) 24V DC nominal
Reverse polarity protection	No
Command signal: For "ON" For "OFF"	R _i = 2,4 kΩ 13-30V DC 0-6V DC
Output current: Peak Continuous	2,1A 2A
Output voltage	Typically 0,8V below input V
Load	Any resistive or inductive load. Typical load: Vickers DG4V-3 or DG4V-5 solenoid operated directional valve, including when used as a pilot valve.
Max. switching frequency at 50% duty cycles: 350 mH load DG4V-3 valve sol. DG4V-5 valve sol.	5 Hz 4 Hz 3 Hz
Protection	IEC 529; IP67 (when correctly installed with interface seal)
Isolation to VDE 0110	Group B
Electromagnetic compatibility (EMC): Emission Immunity	EN 50081-2 EN 50082-2

▲ Connect 24V to "+" terminal; 0V to "-" terminal.



Warning: Reverse polarity connection can cause damage.

Mechanical

Housing	PA6 glass reinforced plastic (conforms to UL-94HB). Color: gray
Mounting interface	ISO 4400 (DIN 43650). Pin locations can be turned through 180°; polarity unchanged.
Cable clamp	Pg 9 screw type
Cable diameter	Ø5 to 10 mm (0.197 to 0.394 dia)
Wire section	0,5-1,0 mm ² (20-17 AWG)
Temperature, ambient range	-20° to +70°C (-4° to +158°F)
Mass	0,07 kg (0.154 lb)

Performance Data

Typical valve response times ■

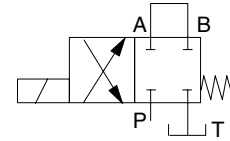
Comparisons of response times of sample Vickers valves (circuited as shown on the right) when controlled from remotely located power relay and EHH-AMP-702-A-20.

Valve model	Response time (ms):	
	Remote switching	EHH-AMP-702-A-20 plug
Energizing valve		
DG4V-3	50	50
DG4V-5	50	50
De-energizing valve		
DG4V-3	142	40
DG4V-5	150	45

■ Typical data only: valve response times will vary with spool type, system pressure and flow, volume of fluid under compression, supply voltage, coil temperature, etc.

Single Solenoid Valve Test Conditions

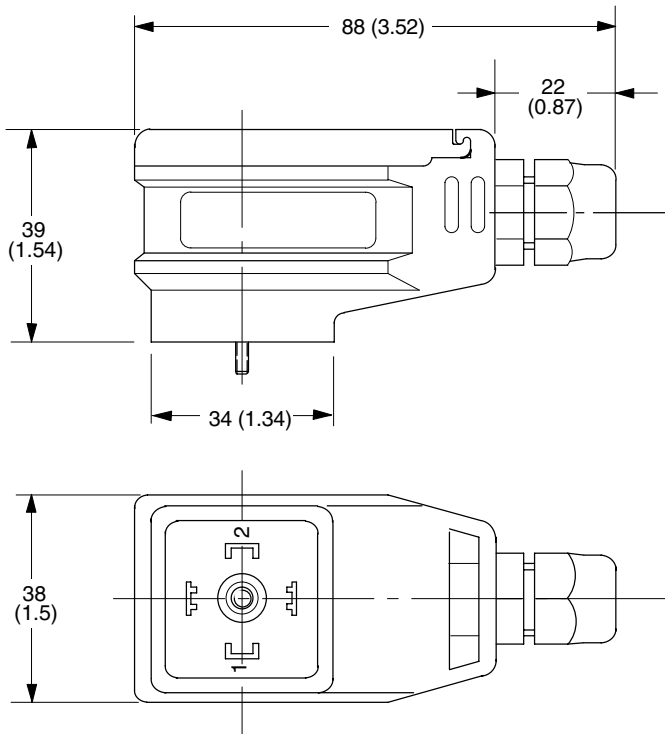
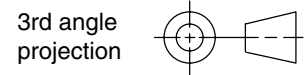
Connections



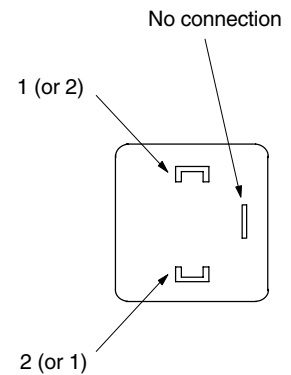
Pressure: 160 bar (2320 psi)
 Flow rate: 60 l/min (16 USgpm)
 Temperature: 55°C (131°F)
 Power supply: 24V DC
 Input signal ◆: 12V DC

◆ Switching signal to power plug.

Installation Dimensions in mm (inches)

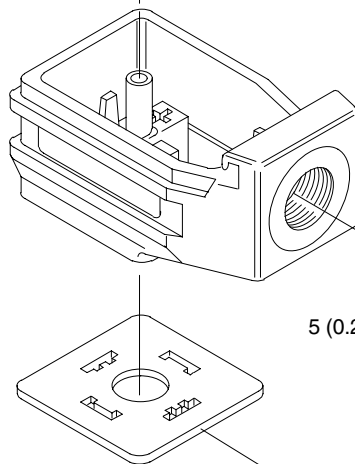
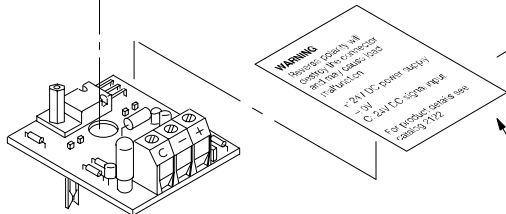
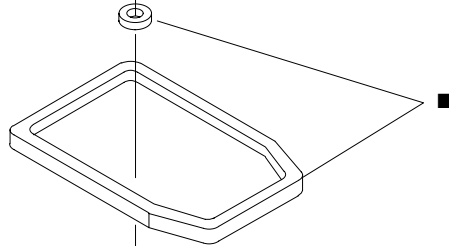
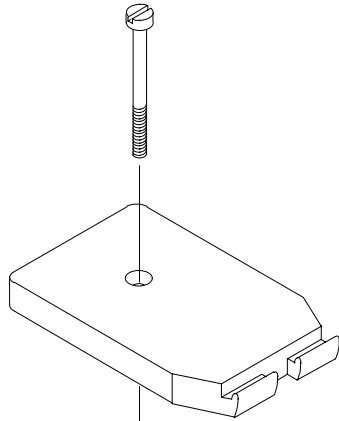


Solenoid Connections



Installation Data

Assembly Showing Wiring Connection Points



Warning

- Wire the plug for correct polarity. Wrong polarities can cause plug burn-out and/or machine malfunction.
- Tighten the cable clamp to secure the cable.
- Do not connect, or disconnect the plug while power is on.

WARNING

Reverse polarity will destroy the connector and may cause load malfunction.

+ : 24V DC power supply
 - : 0V
 C : 24V DC signal input

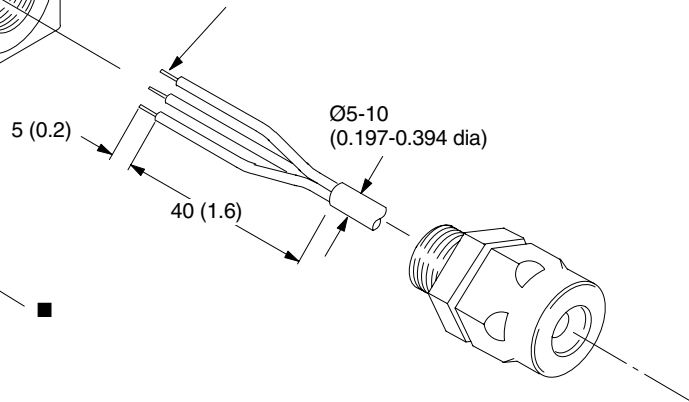
For product details see catalog 2122

WARNING
 Reverse polarity will destroy the connector and may cause load malfunction.
 + : 24V DC power supply
 - : 0V
 C : 24V DC signal input
 For product details see catalog 2122

After observing the printed warning this adhesive label may be peeled off the amplifier and discarded

Wiring Preparation

3 × 0,5-1,0 mm²
 (20 AWG-17 AWG)



- All seals must be fitted correctly at plug installation to provide protection to IP67 (IEC 529).

Start-Up Procedure

1. With the plug correctly wired but not mounted to the load, provide it with 24V power supply.
2. Apply a 13V to 30V DC (24V nominal) command signal and check that the integral LED illuminates. Reduce the signal to $\leq 6V$ DC (or open circuit) and check that the LED goes out.
3. If there is a malfunction of the LED replace the plug.
4. Switch off the power supply and the command signal and connect the plug to the load. Ensure that the interface seal is correctly fitted and clamped between the mounting faces (essential for IP67 protection). Tighten the retaining screw.
5. Ensure that no damage or injury will occur on the machine when the valve is operated.
6. Switch on the power supply. Apply a command signal to:
 - (a) illuminate the LED and,
 - (b) energize the load (e.g. solenoid valve).

If the LED does not illuminate there is a short circuit in the load. Replace the load/load coil.

7. Successful completion of these steps means that the plug and load are ready for normal use.

Spare Parts

The only spare part available is the interface seal, part number 732100.

Ordering Procedure

Order plugs by full model code, e.g. EHH-AMP-702-A-20, and spare interface seals by part number 732100.